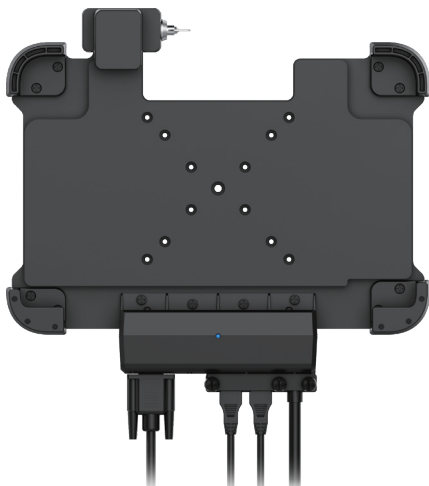


10-inch car holder instruction

VHM16H/VHM16K User manual



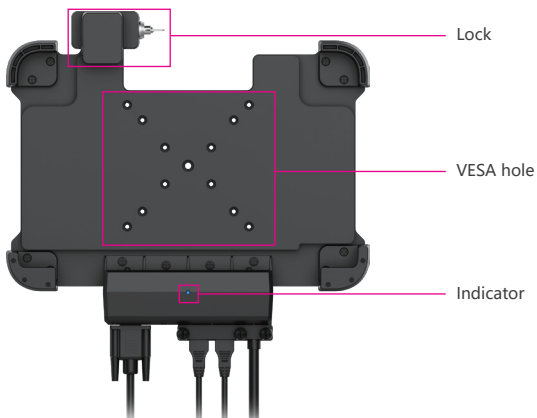
Contents

I . Product Introduction	
1. Appearance description	
2. Indicator light description	
II. Instruction for use	
1. Installation	
2. Charging	
3. Expansion interface	
4. Accessories and use	
III. Accessories and use	

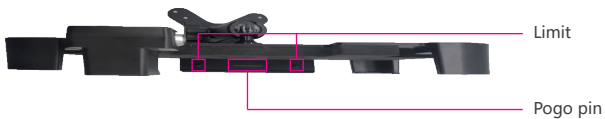
I . Product Introduction

1. Appearance description

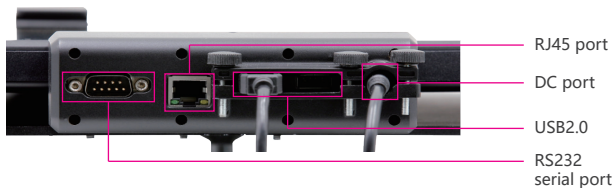
Front view:



Top view:



Bottom view:



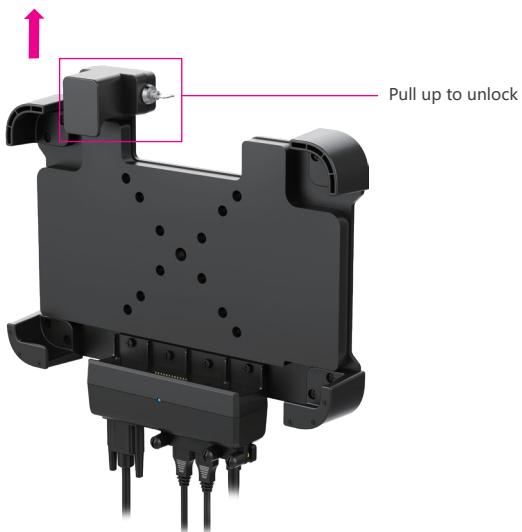
2. Indicator light description

Green power indicator. Place the tablet correctly, connect to the DC power, and the indicator light will light up.

II. Instruction for use

1. Installation

1.1 Unlock with the key and pull up the buckle.



1.2 Place the tablet, pull down the buckle, and lock it.



2. Charging

VHM16H and VHM16K use two different kind of PCB.

To charge the 16H tablets, use the VHM16H car holder with a 5V/3A adapter.

To charge the 16K tablets, use the VHM16K car holder with a 12V/4A adapter.

3. Expansion interface

The car holder has 5 ports: 1 DC power port, 2 USB2.0 port, 1 RJ45 network port and 1 RS232 serial port.

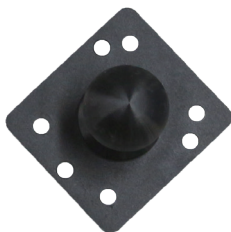
USB2.0, RJ45 and RS232 can work only when the DC power supply is connected.

4. Accessories and use

4.1 Big ball head



4.2 Small ball head



4.3 Long bracket



4.4 Short bracket



4.5 Clip-on base



4.6 Instructions for use



VHM16H/VHM16K



select one of two



Big ball head



Small ball head



select one of two



Long bracket



Short bracket



select one of two



Clip-on base



Big ball head

III. Dimensional drawing

